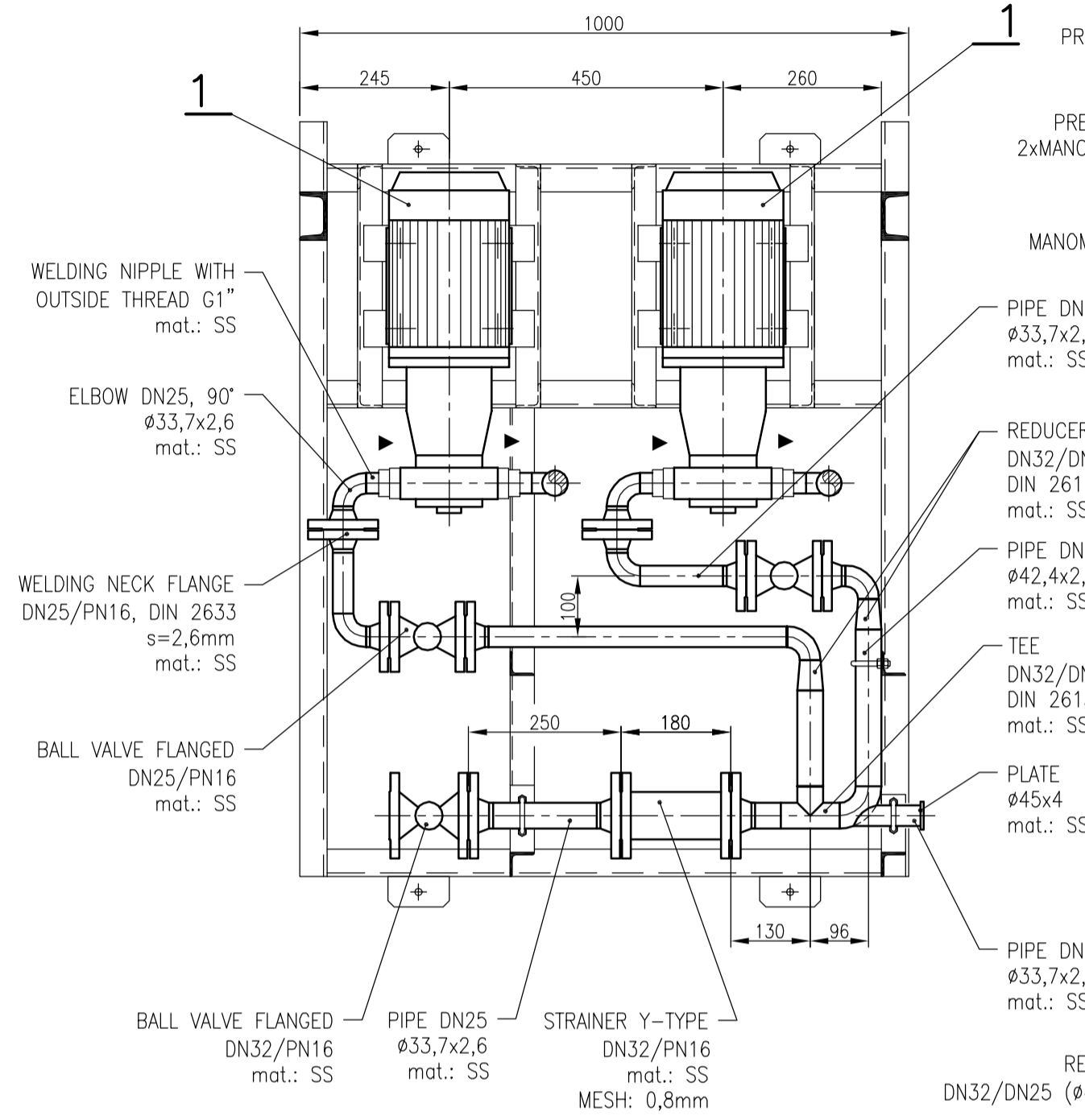
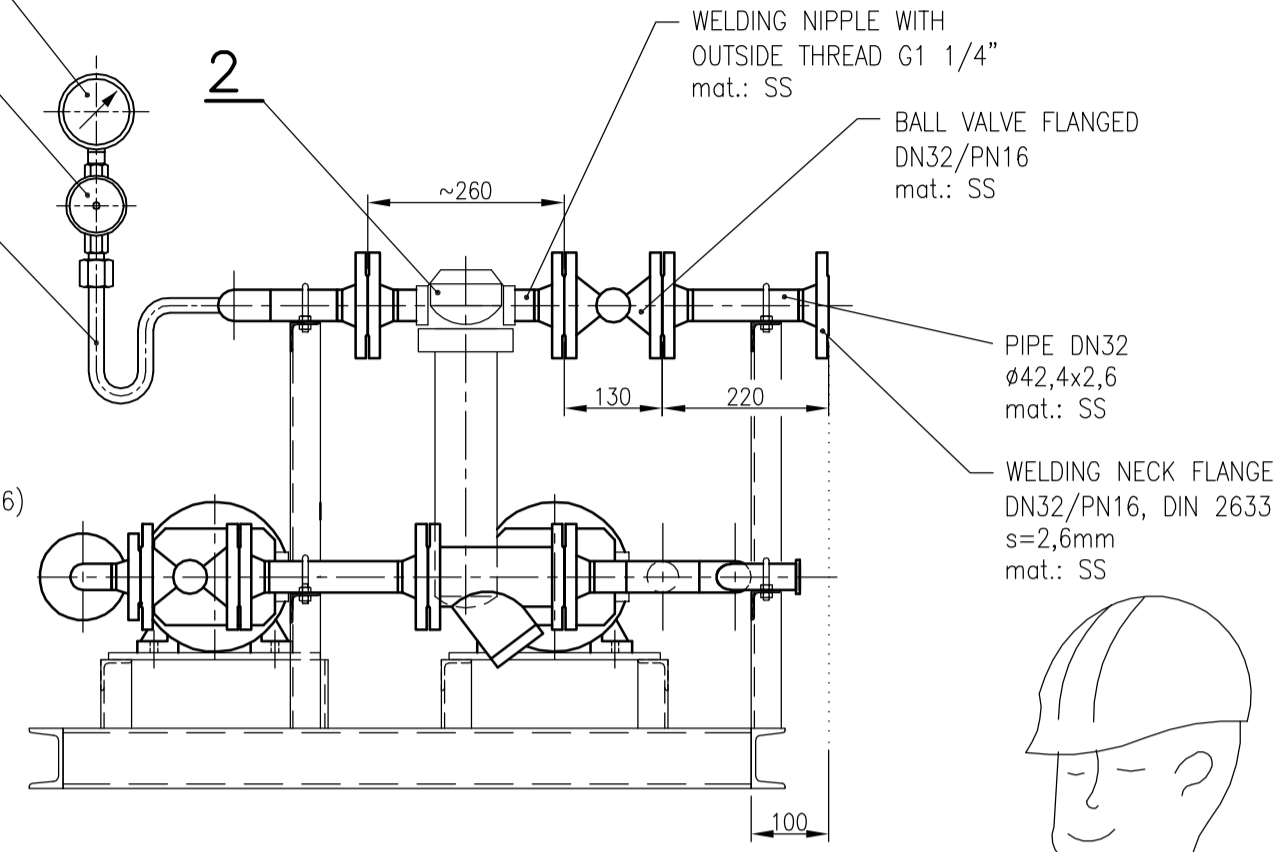


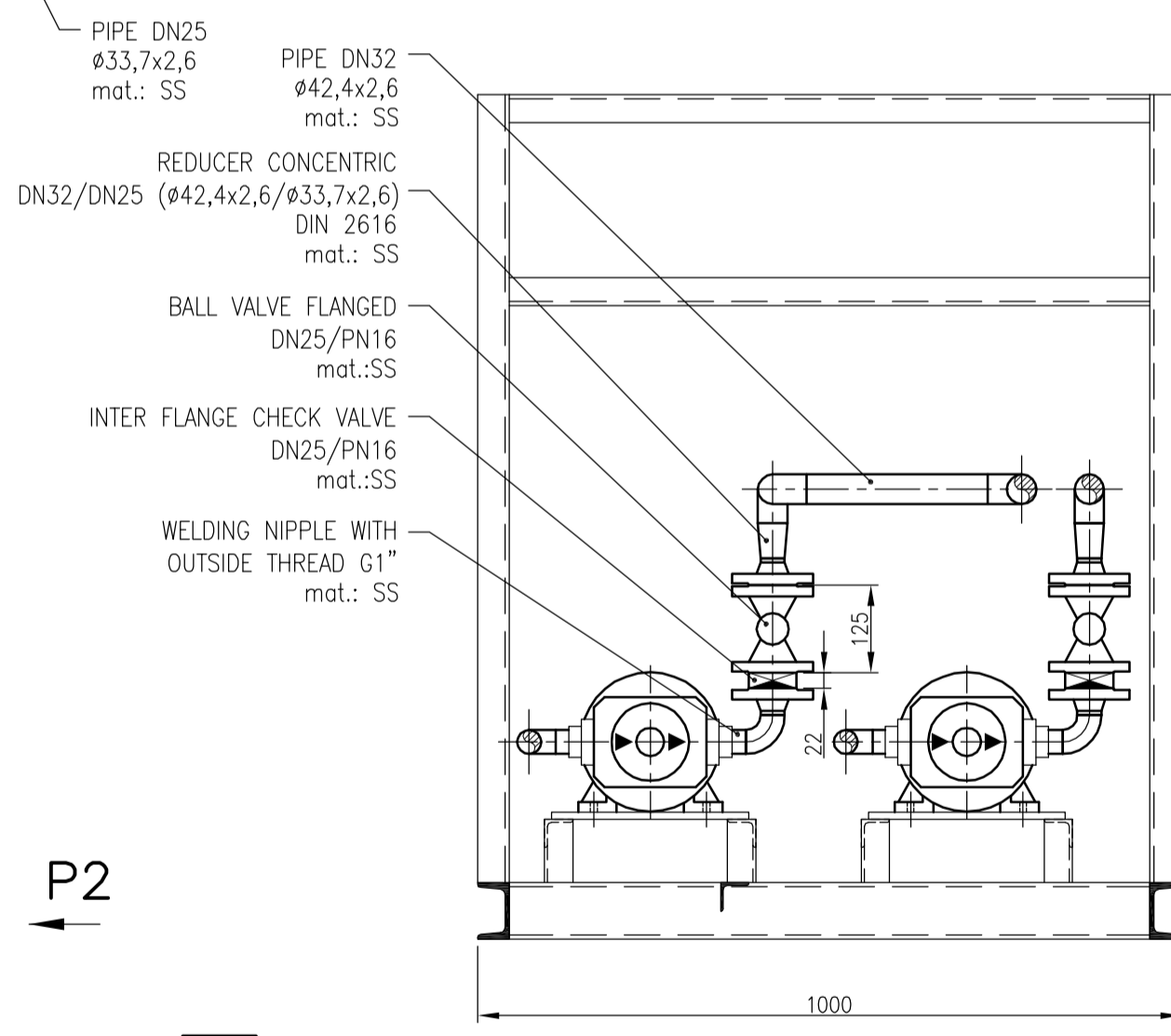
**SUCTION LINES**



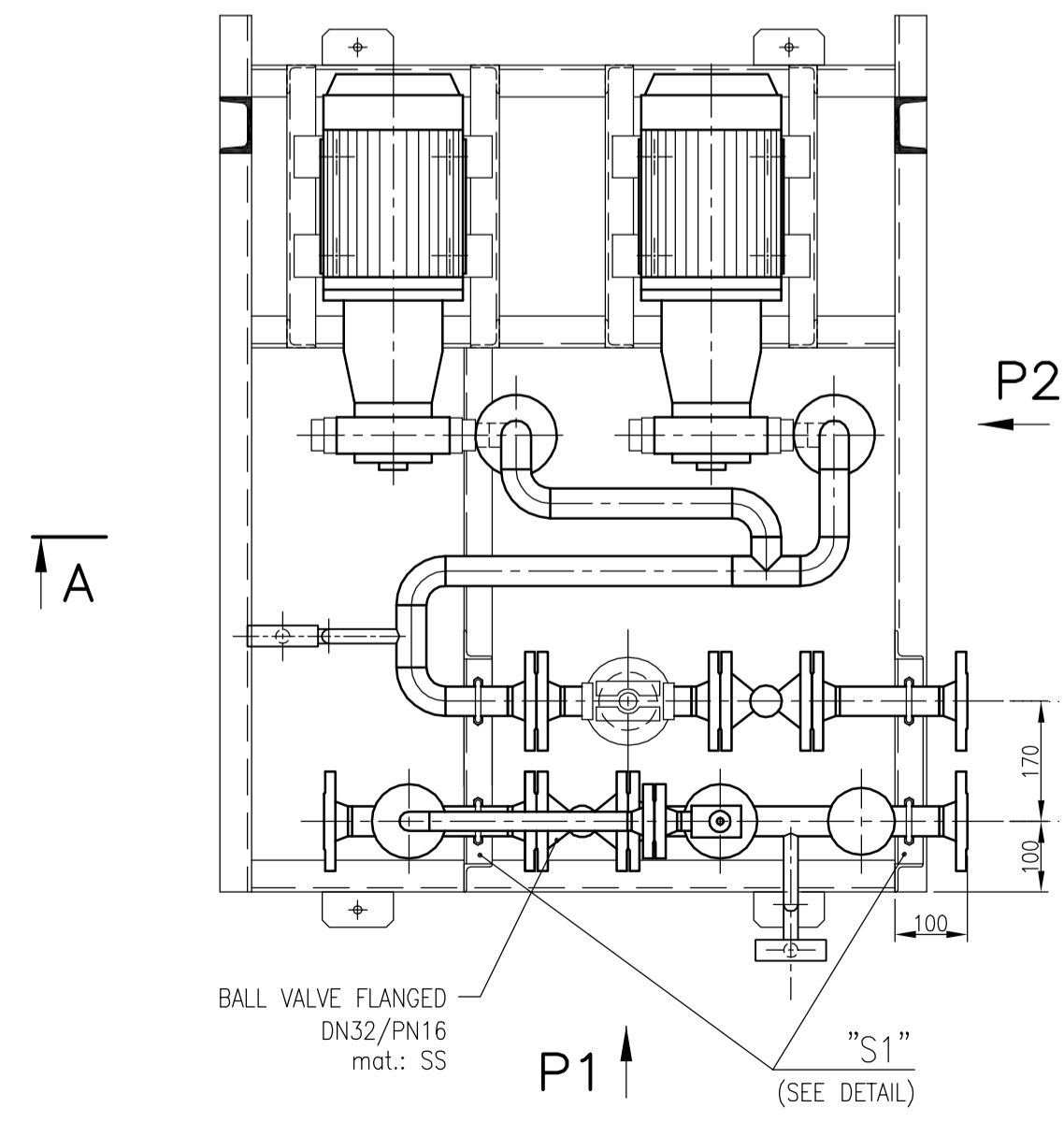
**SECTION B-B**



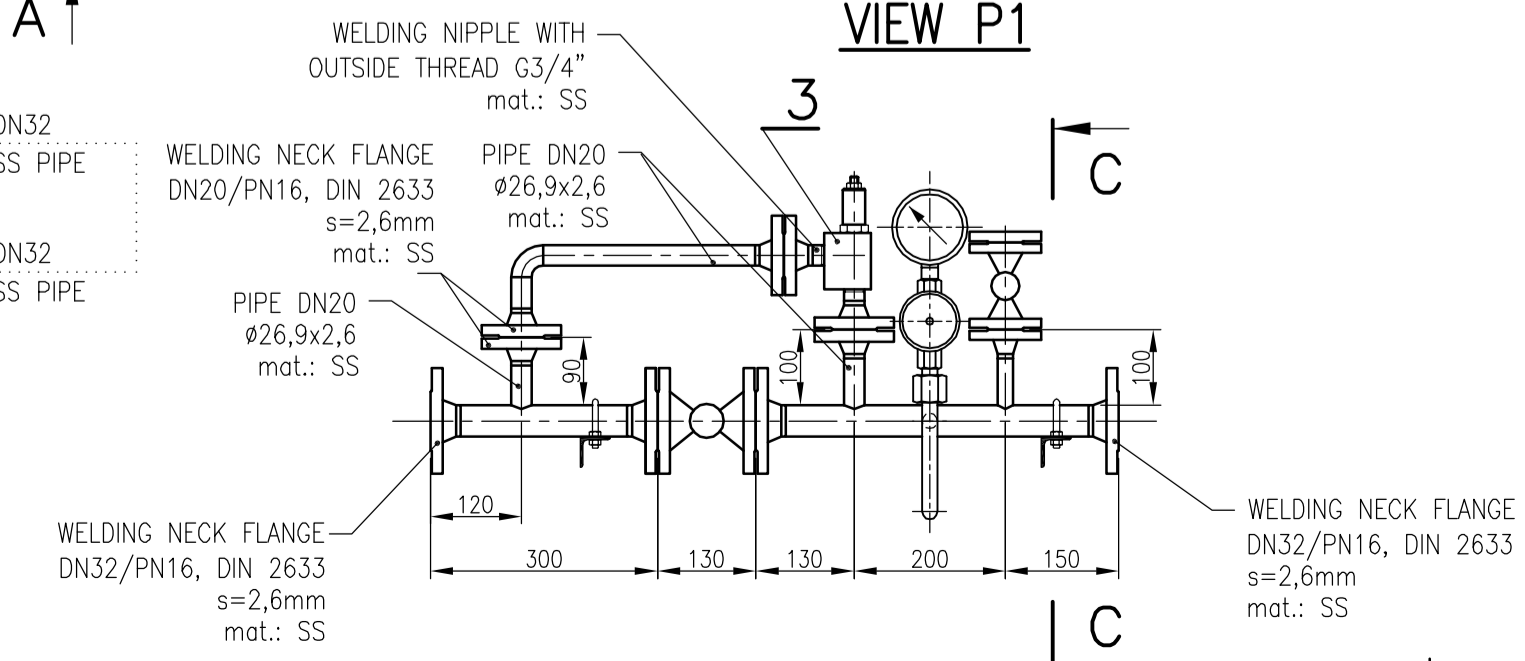
**SECTION A-A**



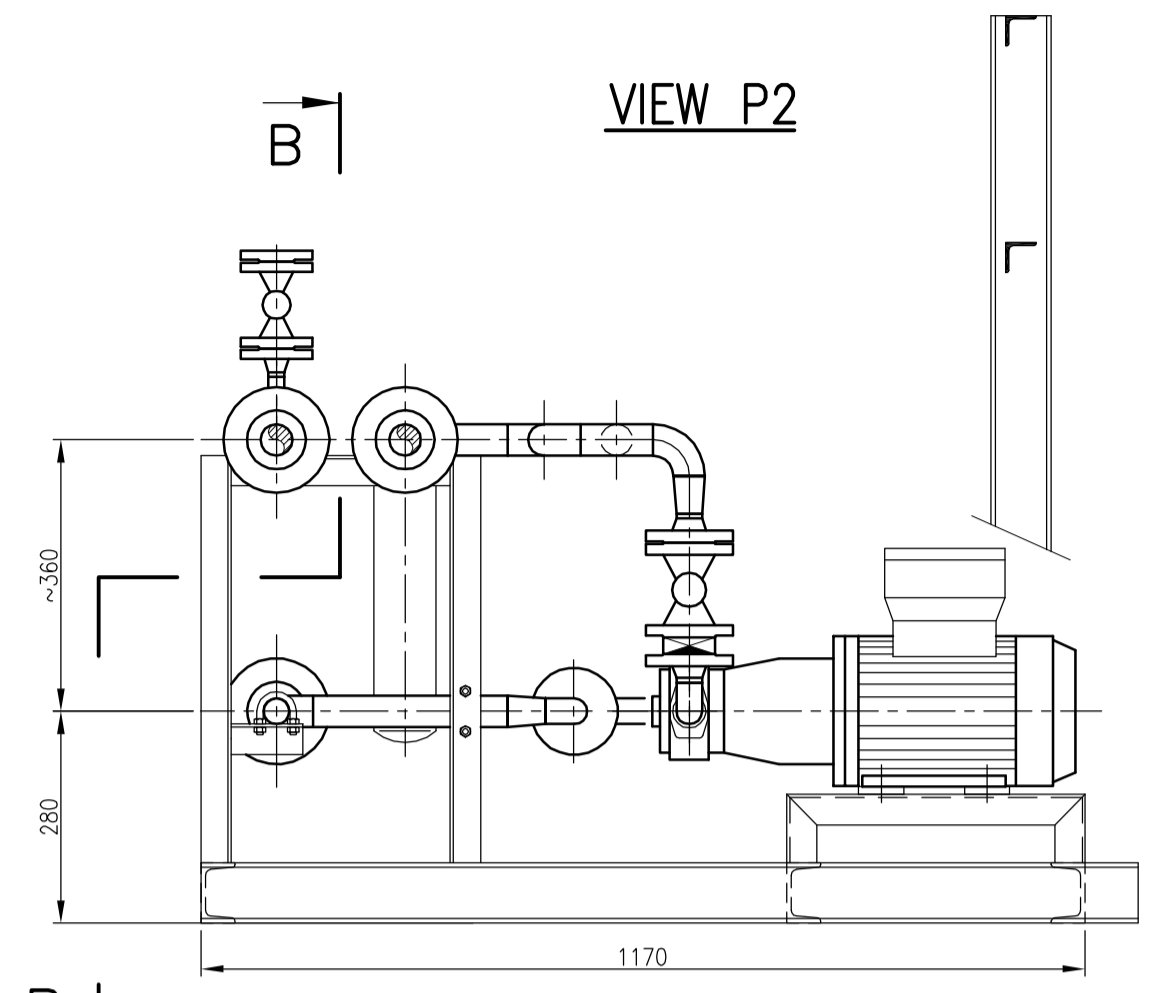
**DISCHARGE LINES**



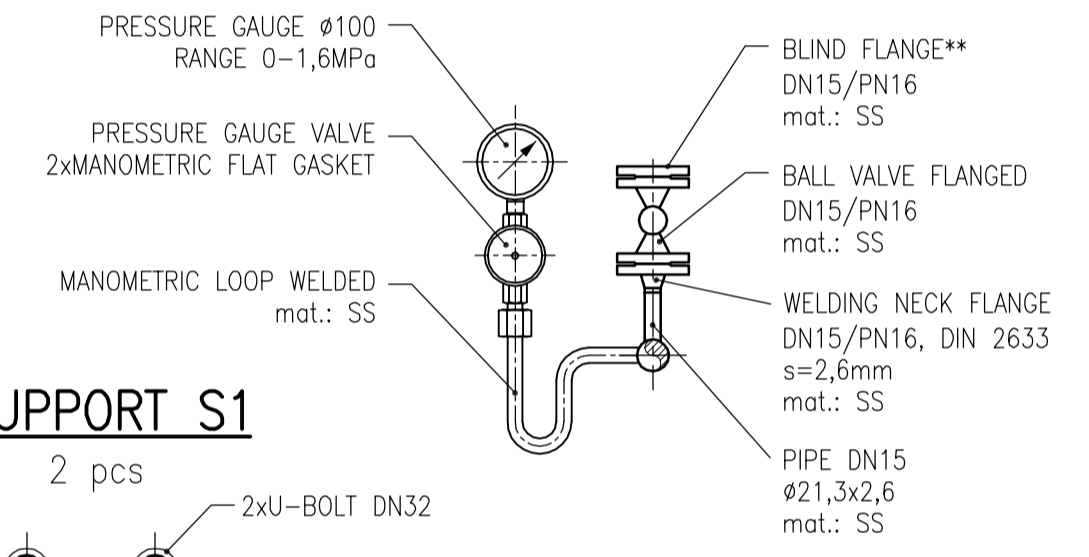
**VIEW P1**



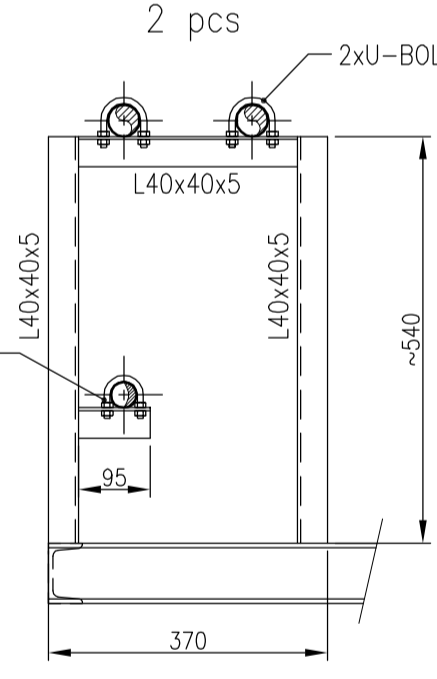
**VIEW P2**



**SECTION C-C**



**SUPPORT S1**



- NOTICE:**
- PRESSURE RELIEF VALVE SET - 10 bar
  - BOLT, NUT, SPRING WASHER - ZINC COATED
  - GASKET thk. 2mm, AZBEST FREE
  - TEST PRESSURE: 1,43 MPa
  - TEST LIQUID: viscosite 1cst
  - IF SKID WILL BE SITUATED ON THE LOWEST PLACE, ADDITIVE PIPE DRAIN MUST BE SITUATED NEAR OF THE SKID
- SS - STAINLESS STEEL

**RELATED DRAWINGS:**

- 03-002 - STEEL BASEMENT
- 03-003 - U-BOLT - DIMENSIONS

This drawing is the property of VAE Controls s.r.o. The document must not be used or copied without our authorization or brought to the knowledge of a third part.



Position	Pcs	Title	Description	Weight (kg)
3	1	Pressure relief valve HYDAC	type DB 12120A-01X-030V (outlet/inlet G3/4")	
2	1	Filter HYDAC-type LPF BN/HC 280 GE10B1.1	DN 1 1/4", MESH: 5 µm	
1	2	Additive pumps-type Tutthill 1014-2S7/CC	Horizontal gear pump with internal relief valve Q=22l/min, 15bar, 2,2kW	~30

REVISION No.: 1 DATE: 17.12.2007 DRAWN: SOJKA Miloslav  
DESCRIPTION:

DESIGNER:	SOJKA Miloslav	
CHECKED:	ING. ŠIMANSKÝ Jan ml.	
VAE Controls s.r.o.		No Hrůzi 781/15 PŘEROV 1-Město 750 02 tel: +420 581 288 111 PIK s.r.o.
SKID FOR ADDITIVE PUMPS		DATE: 11/2007
ARRANGEMENT		LEVEL: BD
		FORMAT: 4A4
		SCALE: 1:10
Copy:	Archive number:	059/07/BD-C-03-001